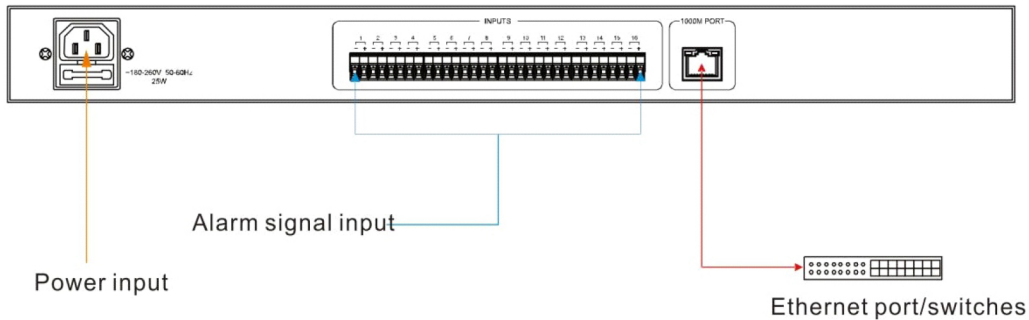
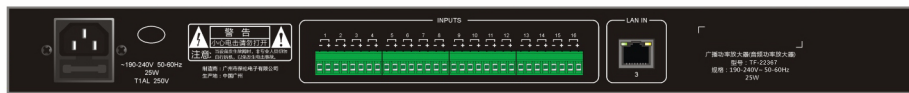




IP network Fire Alarm Interface

TF-22367



Description:

Using for Fire service center to acquire firm alarm circuit.

Features:

- * Standard rack mount design, 1U height, high-grade brushed aluminum panels, sophisticated technology, high-end product.
- * Equipment adopts embedded industrial-grade dual-core processing chip (ARM + DSP), start time is less than 1S.
- * 16 channel fire short circuit signal input, can be unlimited extension input interface, convenient for the large system solution.
- * Panel support a key to cancel the task.
- * It supports to set alarm strategy in the background. It can configure alarm strategy for each input port of short circuit signal, connect terminals and play tracks.
- * Standard network interface, full-speed connections of up to 1000M.
- * It supports remote hardware update of the terminal, no need go to upgrade at the local site, to reduce maintenance burdens and make more simple operation.

Specifications:

Model	TF-22367
Network Interface	Standard RJ45 input
Transmission Rate	100Mbps
Support Protocol	TCP/IP, UDP
Short Circuit Interface	Industry standard wire terminals
Power Consumption	≤20W
Power Input	~190-240V 50-60Hz
Size	484mm×209mm×44mm
Weight	3Kg