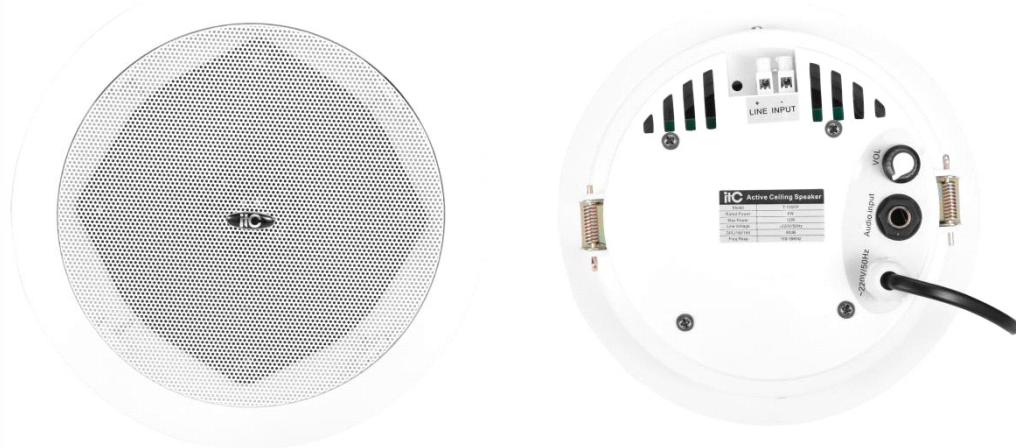


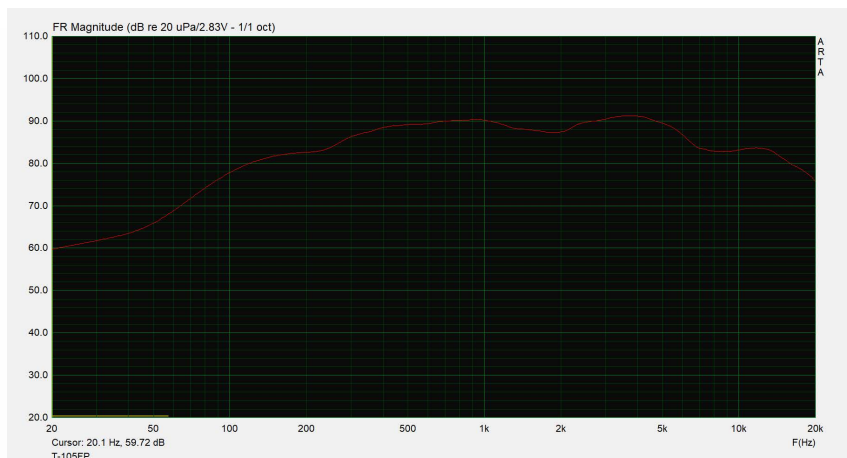
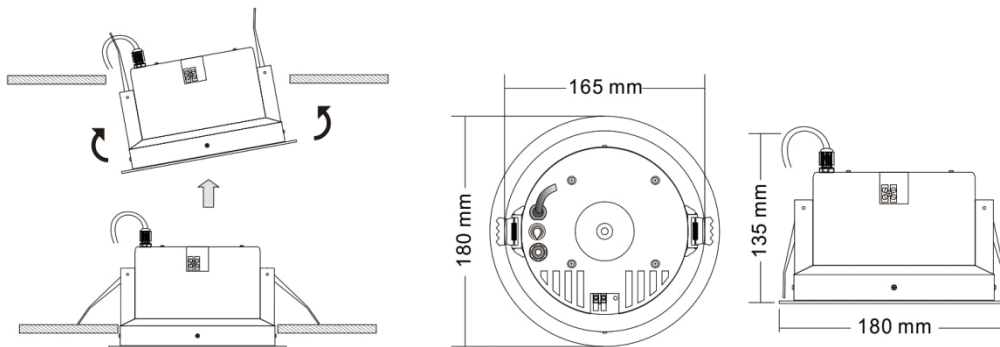


Active Ceiling Speaker

T-105FP



Material: plastic shell + aluminum mesh cover



Description:

Indoor active ceiling speaker, built-in volume controller, one in and one out signal input. Adopt new digital power amplifier module, higher efficiency. Applicable to shopping malls, hotels, guesthouses, etc.

Specifications:

Model	T-105FP
Rated power	6W
Input	~220V/ 50Hz
SPL(1W/1M)	90dB
Frequency response (-10dB)	80Hz -20KHz
Speaker driver	5" x 1
Cutout size	165mm
Dimensions	180 x 135mm
Weight	0.9Kg