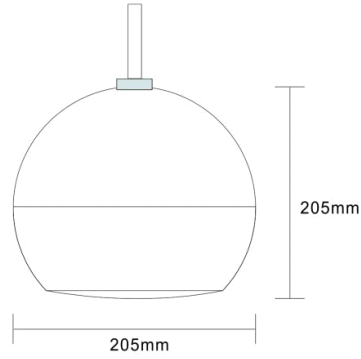


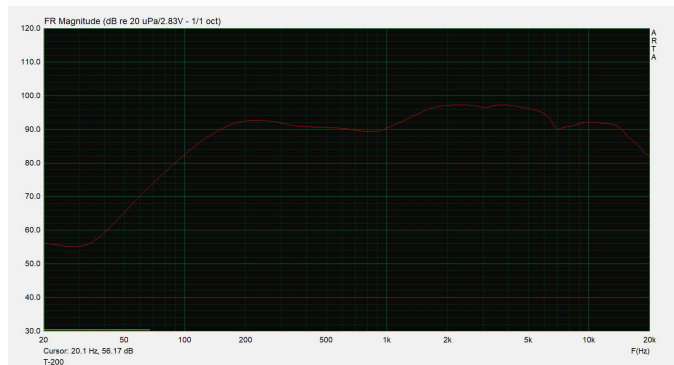
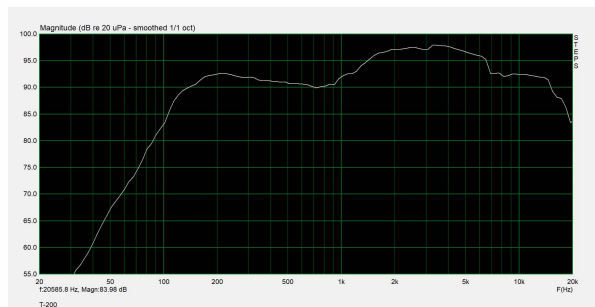
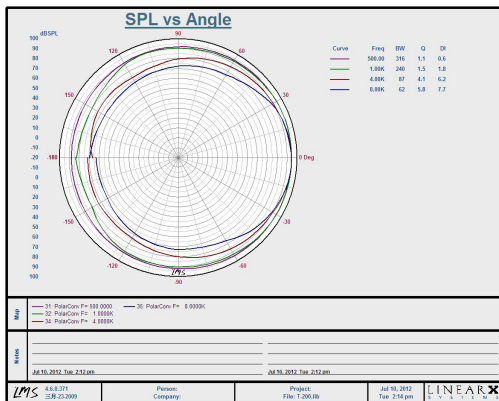


Pendant Speaker

T-200



Material: Plastic



Description:

Ball design, wide band speaker unit, unique appearance, suitable for supermarkets, shopping malls, etc.

Specifications:

Model	T-200
Power taps @100V	1.5W, 3W, 6W
Power taps @70V	0.75W, 1.5W, 3W
Impedance	Blue: Com Red:6.7KΩ ; Green: 3.3KΩ Yellow:1.7KΩ
SPL(1W/1M)	91dB±3dB
Frequency response (-10dB)	80Hz -20KHz
IP rate	IP66
Speaker driver	5" x 1
Dimensions	205 x 205mm
Weight	1.1kg