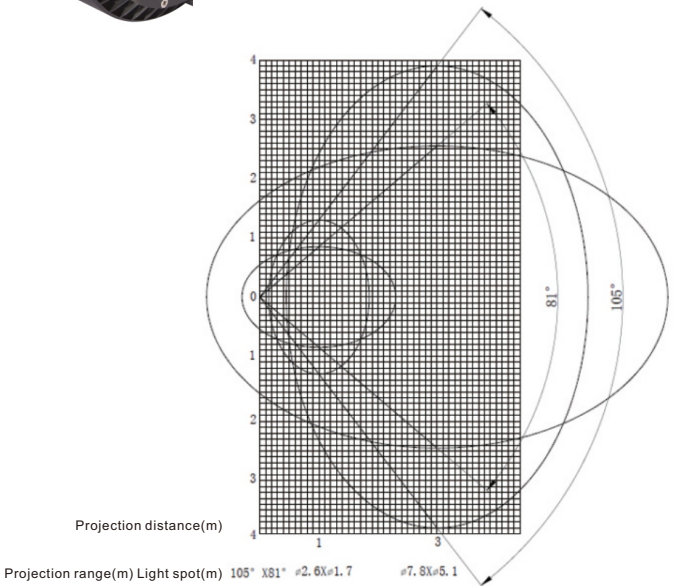
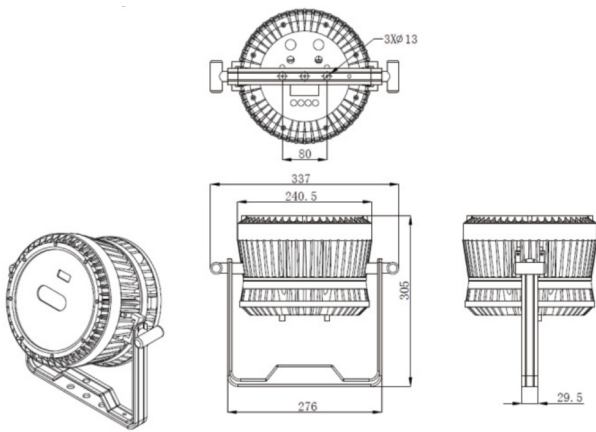




Starry Sky Light

TL-LT402



Feature:

- * Function: dynamic starry sky effect, forward and backward rotation, adjustable speed, light and dark linear conversion.
- * Dimming: 0-100% linear adjustment.
- * Pattern effect: dynamic starry sky effect.
- * Over-temperature protection function: built-in NTC temperature control function. When the LED is overheated, the output power will be intelligently reduced.

Specifications:

Model	TL-LT402
Input voltage	AC 110-240V 50/60Hz, 20W
Light source	Imported chip, 5W laser diode, white light module
Average lifespan	10000H
Color temperature	7000K
Best projection distance	3-8 meters
Best projection area	12-60 square meters
Color	RGBW(optional)
Beam angle	105°*81°
Control mode	Comply with the international standard DMX512 signal control protocol, built-in power-on self-propelled program, built-in 3 modes (forward rotation, backward rotation, light and dark linear conversion breathing effect) optional
Fixture material	High-strength die-cast aluminum alloy + high-efficiency heat pipe cooling system
Protection level	Protection IP65
Working temperature	-20°C~45 °C
Fixture size (L×W×H)	337*240.5*305mm
Package size (L×W×H)	370*330*355mm
Net weight	4.7kg